

具有中断功能的16位I²C和SMBus IO扩展器

16-bit I²C-bus and SMBus IO expander with Interrupt

■ FEATURES

- Power supply range : 2.5V~5.5V
- Capable of Directly Driving LEDs
- 16 IOs can be configured as an input or an output independently
- Support interrupt, active low
- Standard I²C interface, 8 programmable device addresses (4 for HTR3339)
- Support Inverse Polarity Configuration
- Low Standby-Current Consumption
- Pb-free Packages, QFN4×4-24L
- 供电范围: 2.2V~5.5V
- 支持LED驱动
- 16个IO, 可任意置为独立的输入或输出
- 中断功能, 低电平有效
- 标准I²C接口, 8个I²C器件地址可选(HTR3339为4个)
- 支持反极性配置
- 支持低功耗待机
- QFN4×4-24L, 无铅封装

■ APPLICATIONS

- GPIO expansion for I²C-bus applications
- I²C总线控制的GPIO扩展应用

■ DESCRIPTION

HTR33xx is a 16-bit I²C-bus and SMBus IO expander with 2.2V~5.5V power supply. Any of the 16 IOs can be configured as an input or an output independently. Meanwhile, any IO are capable of driving LEDs directly.

At power on, the IOs are configured as inputs by default. Configurations are set through I²C interface, such as input or output selection, Polarity Inversion, and so on.

When the IOs are configured as inputs, they are continuously monitored for state changes. State changes are indicated at the INTN output. Once the IO state are read through the I²C interface, the INTN output is cleared.

HTR3339 has RSTN pin to set the registers to their default values. HTR3335 and HTR3339 don't include internal IO pullup resistor, so that they require external pull-ups and pull-downs on unused IOs when they are configured as inputs.

HTR3339 has 4 programmable device addresses, while HTR3355 and HTR3335 have 8.

HTR33xx is available in QFN4×4-24L package.

HTR33xx 是一款 I²C 和 SMBus IO 扩展器, 2.2V~5.5V电源供电。16个IO端口中的任何一个都可以单独配置为输入或输出。此外, 任一IO可驱动LED。

通电后, 16个IO端口配置默认为输入, 并可通过I²C进行相关配置, 如输入或输出选择、反极性等配置

所有配置为输入的IO端口都会持续监控状态变化, IO口的变化由INTN输出指示。当IO状态通过I²C接口被读取时, INTN输出被清除。

HTR3339具有RSTN引脚, 其拉低时所有寄存器恢复到默认状态。HTR3335和HTR3339的IO内部没有上拉电阻, 因此当其配置为输入且未使用时, 需要外部的上下拉。

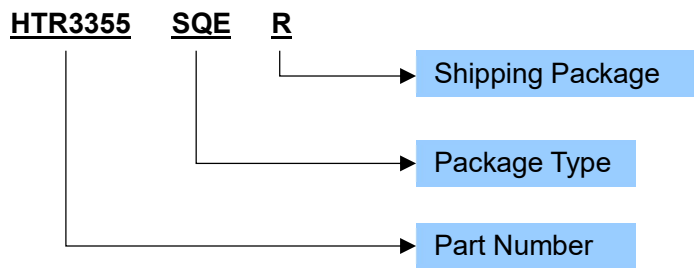
HTR3339具有4个器件地址, HTR3355和HTR3335则有8个。

HTR33xx提供QFN4×4-24L封装。

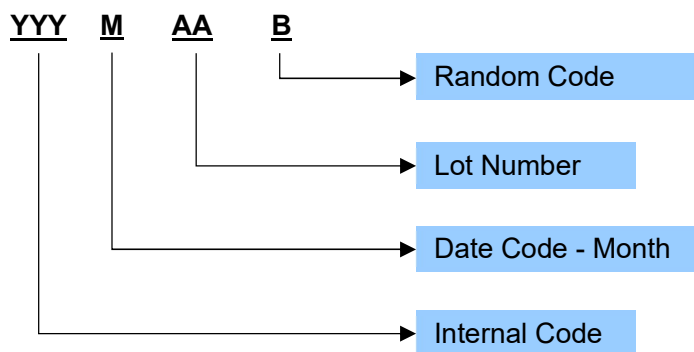
ORDERING INFORMATION

Ordering Number	Package Type	Marking	Operating Temperature Range	Shipping Package / MOQ
HTR3355SQER	QFN4×4-24L (SQE)	HTR3355 YYYMAAB ¹	-40℃~85℃	Tape and Reel (R) 5000PCS
HTR3335SQER	QFN4×4-24L (SQE)	HTR3335 YYYMAAB	-40℃~85℃	Tape and Reel (R) 5000PCS
HTR3339SQER	QFN4×4-24L (SQE)	HTR3339 YYYMAAB	-40℃~85℃	Tape and Reel (R) 5000PCS

Ordering Number

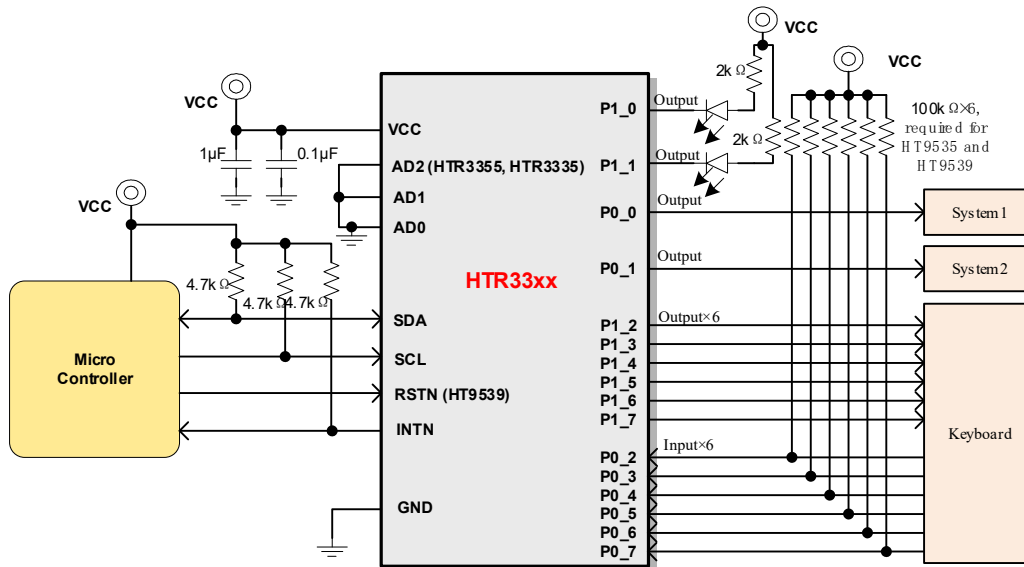


Production Tracking Code

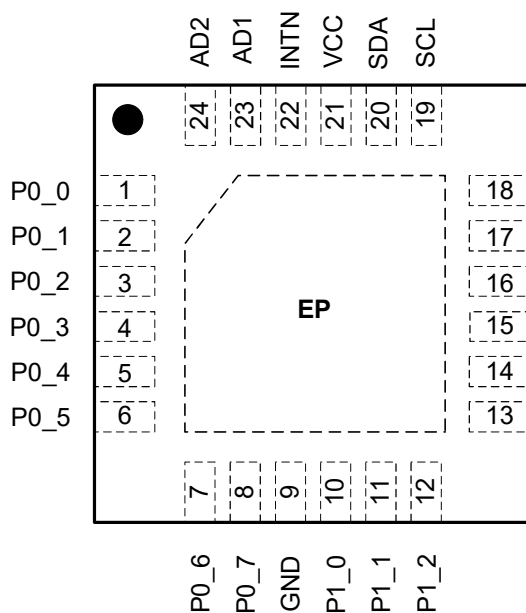


¹ YYYMAAB is production tracking code

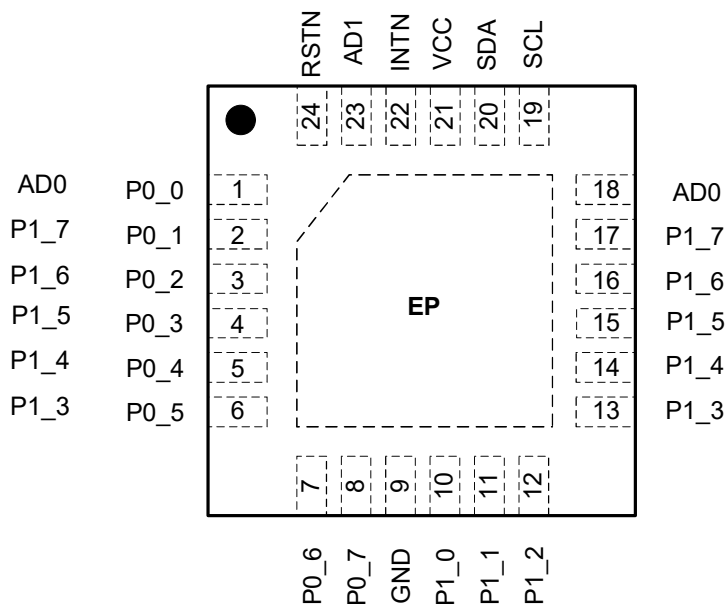
TYPICAL APPLICATION



Functional LED drivers, IO and Keyboard expander

■ TERMINAL CONFIGURATION


HTR3355, HTR3335 Top View



HTR3339 Top View

■ TERMINAL FUNCTION

Terminal No.	Name	Description
1~8	P1_0~P0_7	Input or output terminal, push-pull structure, input as default. 输入或输出（推挽结构），默认输入。
9	GND	Ground. 地
10~17	P1_0~P1_7	Input or output terminal, push-pull structure, input as default. 输入或输出（推挽结构），默认输入。
18	AD0	I ² C device address, connect to VCC or GND. I ² C器件地址选择，接VCC或GND。
19	SCL	I ² C serial clock. I ² C时钟
20	SDA	I ² C serial data. I ² C数据
21	VCC	Power supply. 电源输入端.
22	INTN	Interrupt output pin, open-drain, need external pull-up resistor; active low. 中断输出，开漏结构，需外部上拉电阻；低有效
23	AD1	I ² C device address, connect to VCC or GND. I ² C器件地址选择，接VCC或GND。
24	AD2 (HTR3355, HTR3335) RSTN (HTR3339)	AD2: I ² C device address, connect to VCC or GND. AD2: I ² C器件地址选择，接VCC或GND。 RSTN: Hardware reset pin, active low. RSTN: 硬件复位，低为复位
EP	GND	Provides both electrical and thermal connection from the device to the board. Connect to the system ground. 接地。

IMPORTANT NOTICE**注意**

Jiaxing Heroic Electronic Technology Co., Ltd (HT) reserves the right to make corrections, modifications, enhancements, improvements, and other changes to its products and services at any time and to discontinue any products or services. Customers should obtain the latest relevant information before placing orders and should verify that such information is current and complete.

嘉兴禾润电子科技有限公司（以下简称HT）保留对产品、服务、文档的任何修改、更正、提高、改善和其他改变，或停止提供任何产品和服务的权利。客户在下单和生产前应确保所得到的信息是最新、最完整的。

HT assumes no liability for applications assistance or customer product design. Customers are responsible for their products and applications using HT components.

HT对相关应用的说明和协助以及客户产品的板级设计不承担任何责任。

HT products are not authorized for use in safety-critical applications (such as life support devices or systems) where a failure of the HT product would reasonably be expected to affect the safety or effectiveness of that devices or systems.

HT的产品并未授权用于诸如生命维持设备等安全性极高的应用中。

The information included herein is believed to be accurate and reliable. However, HT assumes no responsibility for its use; nor for any infringement of patents or other rights of third parties which may result from its use.

本文中的相关信息是精确和可靠的，但HT并不对其负责，也不对任何可能的专利和第三方权利的侵害负责。

Following are URLs and contacts where you can obtain information or supports on any HT products and application solutions:

下面是可以联系到我公司的相关链接和联系方式：

嘉兴禾润电子科技有限公司**Jiaxing Heroic Electronic Technology Co., Ltd.**

地址：浙江省嘉兴市凌公塘路3339号JRC大厦A座三层

Add: A 3rd floor, JRC Building, No. 3339, LingGongTang Road, Jiaxing, Zhejiang Province

Sales: 0573-82585539, 0573-82586608, 0573-82585283, sales@heroic.com.cn

Support: 0573-82586151, support@heroic.com.cn

Fax: 0573-82585078

Website: www.heroic.com.cn; wap.heroic.com.cn

Wechat MP: HEROIC_JX

请及时关注禾润官方微信公众号，随时获取最新产品信息和技术资料！

