

Description

The HR4982 is a complete microstepping motor driver with built-in translator for easy operation. It is designed to operate bipolar stepper motors in full-, 1/8-, 1/16- and 1/128- step modes, with an output drive capacity of up to 35 V and ± 2 A. The HR4982 includes a fixed off-time current regulator which has the ability to operate in Slow or Mixed decay modes.

The translator is the key to the easy implementation of the HR4982. Simply inputting one pulse on the STEP input drives the motor one microstep. There are no phase sequence tables, high frequency control lines, or complex interfaces to program. The HR4982 interface is an ideal fit for applications where a complex microprocessor is unavailable or is overburdened.

During stepping operation, the chopping control in the HR4982 automatically selects the current decay mode, Slow or Mixed. In Mixed decay mode, the device is set initially to a fast decay for a proportion of the fixed off-time, then to a slow decay for the remainder of the off-time. Mixed decay current control results in reduced audible motor noise, increased step accuracy, and reduced power dissipation.

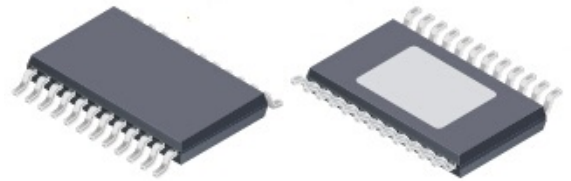
Internal synchronous rectification control circuitry is provided to improve power dissipation during PWM operation. Internal circuit protection includes: thermal shutdown with hysteresis, undervoltage lockout (UVLO), and crossover-current protection. Special power-on sequencing is not required.

The HR4982 is supplied in a low-profile (height ≤ 1.20 mm), 28-pin TSSOP with exposed thermal pad. It is lead (Pb) free (suffix -T), with 100% matte tin plated leadframes.

Features and Benefits

- Low RDS(ON) outputs
- Automatic current decay mode detection/selection
- Mixed and Slow current decay modes
- Synchronous rectification for low power dissipation
- Internal UVLO
- Crossover-current protection
- 3.3 and 5 V compatible logic supply
- Thermal shutdown circuitry
- Short-to-ground protection
- Shorted load protection
- Four selectable step modes: full, 1/8, 1/16, and 1/128

Package

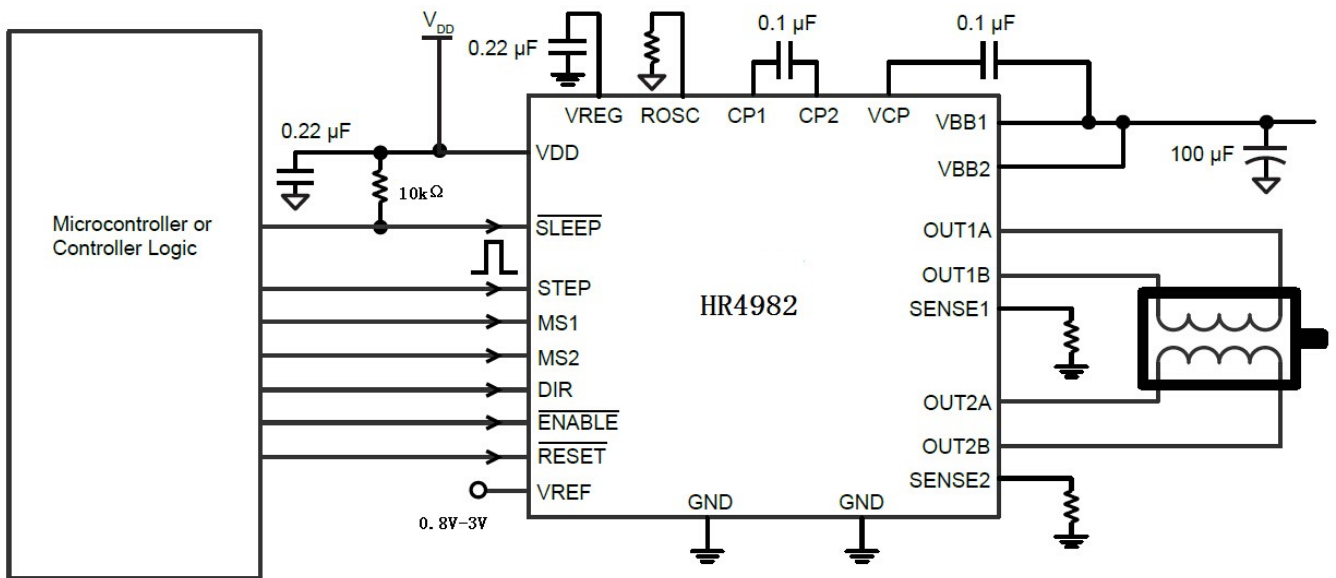


24 lead TSSOP (suffix LP) with exposed thermal pad

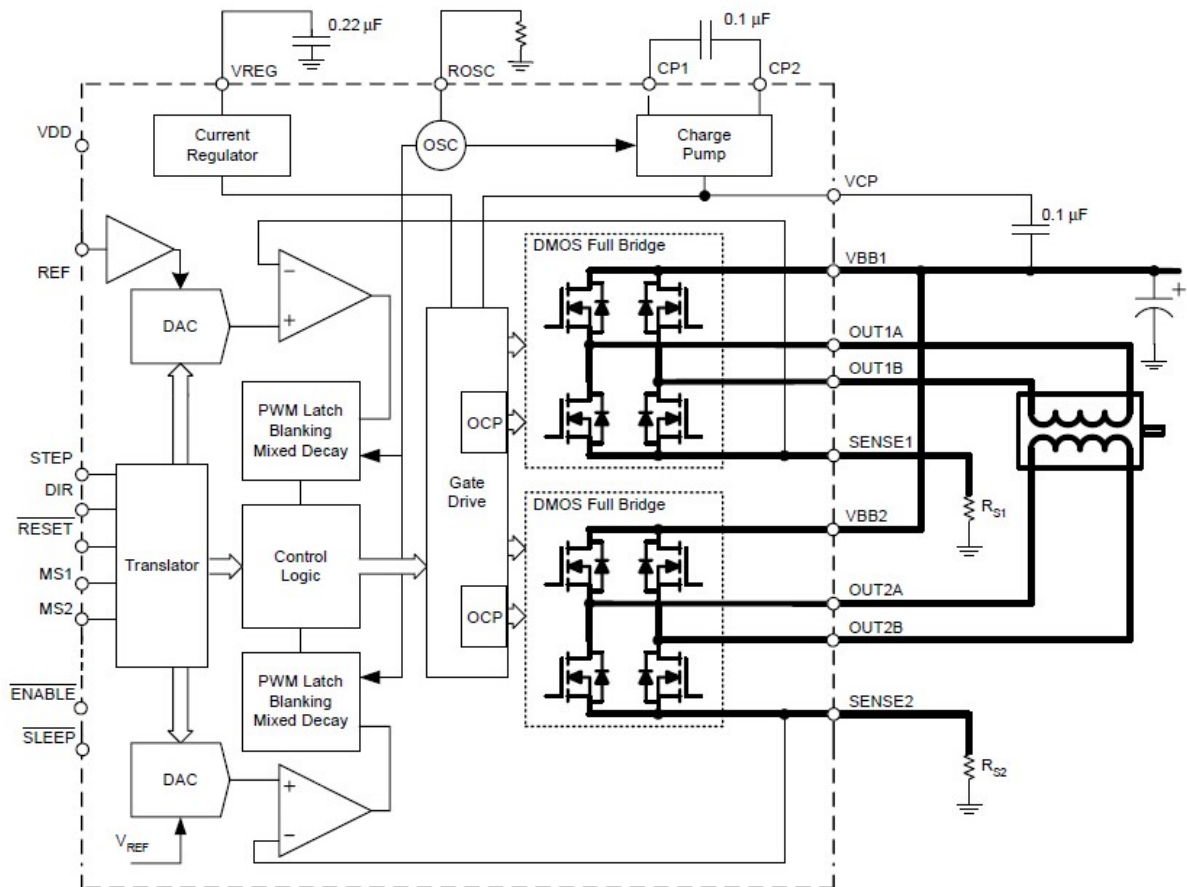
Selection Guide

Part Number	Package
HR4982	TSSOP24 with exposed thermal pad

Typical Application Diagram



Functional Block Diagram



Absolute Maximum Ratings

Parameter	Symbol	Conditions	Ratings	Unit
Load Supply Voltage	V _{BB}		35	V
Output Current	I _{OUT}		±2	A
Logic Input voltage	V _{IN}		-0.3 to 5.5	V
Logic Supply voltage	V _{DD}		-0.3 to 5.5	V
Motor Output Voltage			-2.0 to 37	V
Sense Voltage	V _{SENSE}		-0.5 to 0.5	V
Reference Voltage	V _{REF}		5.5	V
Operating Ambient Temperature	T _A	Range S	-20 to 85	°C
Maximum Junction	T _{J(max)}		150	°C
Storage Temperature	T _{stg}		-55 to 150	°C

RECOMMENDED OPERATING CONDITIONS at Ta = 25°C

		Min	NOM	Max	Unit
Load Supply Voltage	V _{BB}	8	-	35	V
Logic Supply voltage	V _{CC}	3	-	5.5	V
Output Current	I _{OUT}	0		1.8	A

RECOMMENDED SETTING:

- 1、 RO SC: For 1/128 microstep recommend choose 10kΩ to 15kΩ RO SC.
 If necessary please choose the suitable RO SC resistance according motor and the control frequency.
 $t_{OFF} \cong R_{OSC}/825$, the unit of t_{OFF} is us.
 For 1/16 microstep, you can just connect the RO SC pin to GND, lead to the $t_{off}=30us$.
- 2、 CP capacity: 0.1uF/50V
- 3、 VCP capacity: 0.1uF/50V
- 4、 VREG capacity: 0.22uF/16V
- 5、 VREF reference voltage, 0.8V – 3V。
- 6、 RSENSE register, according to VREF and target current,
 $I_{Trip\ MAX} = VREF / (8 \times R_s)$
 According to target current, choose the R_{sense}, make the value
 $V_{sense} = I_{max} * R_{sense}$ between 0.35V to 0.45V. Then choose the V_{ref} according
 $V_{ref} = 8 * V_{sense} * 8 \times R_s$

ELECTRICAL CHARACTERISTICS¹ at Ta = 25°C, V_{BB}= 35 V

Parameter	Symbol	Conditions	Min	Typ ²	Max	Unit
Output Drivers						
Load Supply Voltage Range	V _{BB}	Operating	8	-	35	V
Logic Supply Voltage Range	V _{DD}	Operating	3.0	-	5.5	V
Output On Resistance	R _{DS(ON)}	Source Driver, I _{OUT} =-1.5A		320	430	mΩ
		Sink Driver, I _{OUT} =1.5A		320	430	mΩ
Body Diode Forward Voltage	V _F	Source Diode, I _F =-1.5A			1.2	V
		Sink Diode, I _F =1.5A			1.2	V
Motor Supply Current	I _{BB}	f _{PWM} <50kHz			4	mA
		Operating, outputs disabled			2	mA
Logic Supply Current	I _{DD}	f _{PWM} <50kHz			8	mA
		Operating, outputs disabled			5	mA
Control Logic						
Logic Input Voltage	V _{IN(1)}		V _{DD} *0.7			V
	V _{IN(0)}				V _{DD} *0.3	V
Logic Input Current	I _{IN(1)}	V _{IN} =V _{DD} *0.7	-20	<1.0	20	uA
	I _{IN(0)}	V _{IN} =V _{DD} *0.3	-20	<1.0	20	uA
Microstep Select	R _{MS1}		-	33	-	kΩ
	R _{MS2}		-	100	-	kΩ
Logic Input Hysteresis	V _{HYS(IN)}	As a % of V _{DD}	5	11	19	%
Blank Time	t _{BLANK}		0.7	1	1.3	us
Fixed Off-Time	t _{OFF}	OSC=V _{DD} or GND	20	30	40	us
		R _{OSC} =25kΩ	23	30	37	us
Reference Input Voltage Range	V _{REF}		0.5	-	4	V
Reference Input Current	I _{REF}		-3	0	3	uA
Current Trip-Level Error ³	err1	V _{REF} =2V, %I _{TripMAX} =38.27%	-	-	±15	%
		V _{REF} =2V, %I _{TripMAX} =70.71%	-	-	±5	%
		V _{REF} =2V, %I _{TripMAX} =100%	-	-	±5	%
Crossover Dead Time	t _{DT}		100	475	800	ns
Protection						
Overcurrent Protection Threshold ⁴	I _{OCPST}		3	-	-	A
Thermal Shutdown Temperature	T _{TSD}		-	165	-	°C
Thermal Shutdown Hysteresis	T _{TSDHYS}		-	15	-	°C
VDD Undervoltage Lockout	V _{DDUVLO}	V _{DD} rising	2.7	2.8	2.9	V
VDD Undervoltage Hysteresis	V _{DDUVLOHYS}		-	90	-	mV

¹For input and output current specifications, negative current is defined as coming out of (sourcing) the specified device pin.

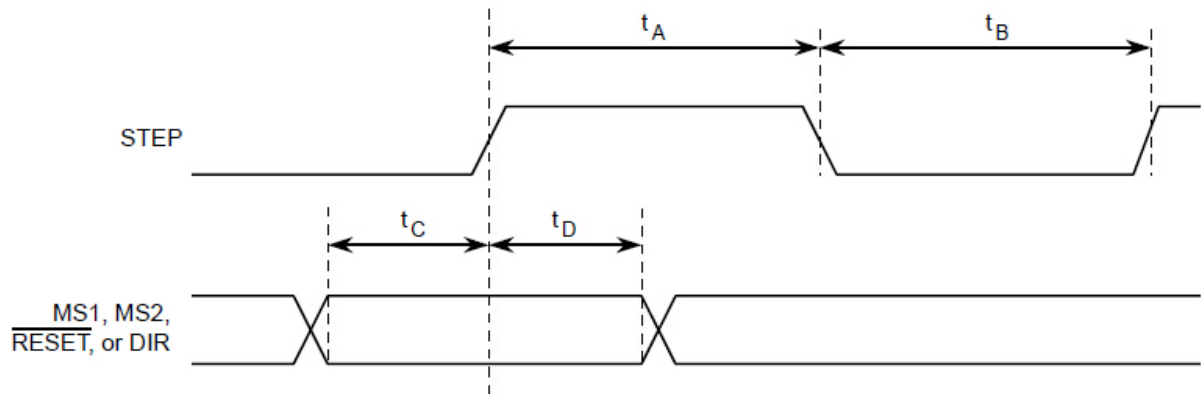
²Typical data are for initial design estimations only, and assume optimum manufacturing and application conditions. Performance may vary for individual units, within the specified maximum and minimum limits.

³V_{ERR} = [(V_{REF}/8) - V_{SENSE}] / (V_{REF}/8).

⁴Overcurrent protection (OCP) is tested at TA = 25°C in a restricted range and guaranteed by characterization.

Timing Diagram:

($T_A = +25^\circ\text{C}$, $V_{DD} = 5\text{ V}$, logic is V_{DD} or GND)

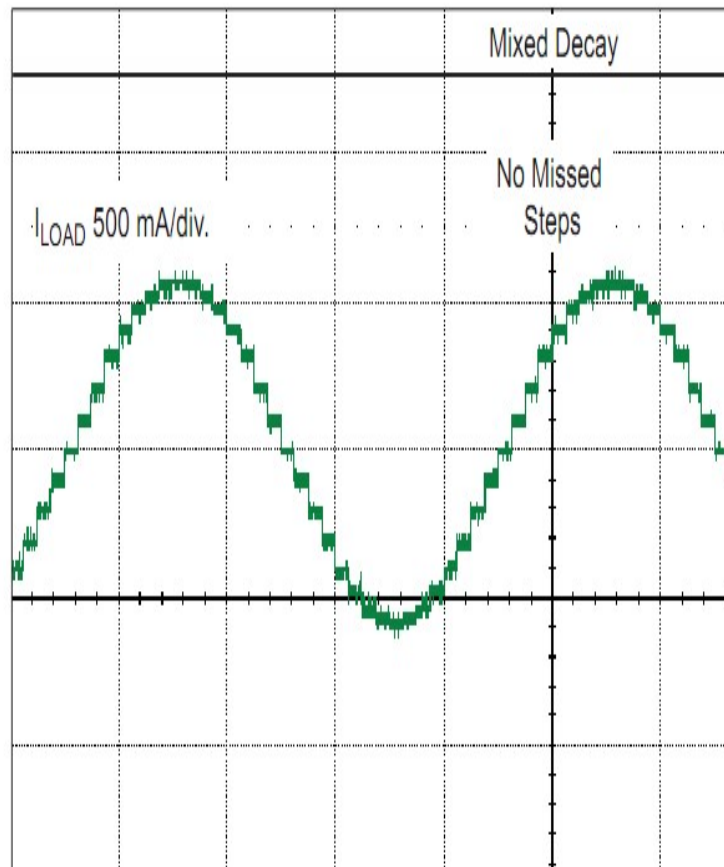
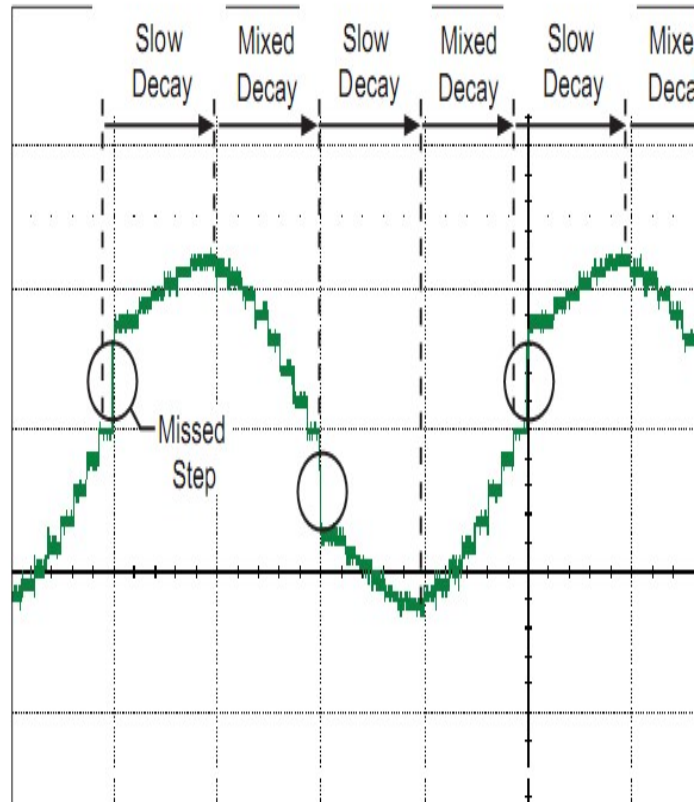


Time Duration	Symbol	Typ.	Unit
STEP minimum, HIGH pulse width	t_A	1	μs
STEP minimum, LOW pulse width	t_B	1	μs
Setup time, input change to STEP	t_C	200	ns
Hold time, input change to STEP	t_D	200	ns

Figure 1: Logic Interface Timing Diagram

Table 1: Microstepping Resolution Truth Table

MS1	MS2	Microstep Resolution	Excitation Mode
L	L	Full Step	2 Phase
H	L	1/8 Step	1-2 Phase
H	H	1/16 Step	8W1-2 Phase
L	H	1/128 Step	32W1-2 Phase



Functional Description

Device Operation. The HR4982 is a complete microstepping motor driver with a built-in translator for easy operation with minimal control lines. It is designed to operate bipolar stepper motors in full-, 1/8-, 1/16-, and 1/128-step modes. The currents in each of the two output full-bridges and all of the N-channel DMOS FETs are regulated with fixed off-time PWM (pulse width modulated) control circuitry. At each step, the current for each full-bridge is set by the value of its external current-sense resistor (RS1 and RS2), a reference voltage (VREF), and the output voltage of its DAC (which in turn is controlled by the output of the translator).

At power-on or reset, the translator sets the DACs and the phase current polarity to the initial Home state, and the current regulator to Mixed Decay Mode for both phases. When a step command signal occurs on the STEP input, the translator automatically sequences the DACs to the next level and current polarity. The microstep resolution is set by the combined effect of the MSx inputs, as shown in Table 1.

When stepping, if the new output levels of the DACs are lower than their previous output levels, then the decay mode for the active full-bridge is set to Mixed. If the new output levels of the DACs are higher than or equal to their previous levels, then the decay mode for the active full-bridge is set to Slow. This automatic current decay selection improves microstepping performance by reducing the distortion of the current waveform that results from the back EMF of the motor.

Microstep Select (MSx). The microstep resolution is set by the voltage on logic inputs MSx, as shown in Table 1. The MS1 and MS2 pins have a 100 k Ω pull-down resistance. When changing the step mode the change does not take effect until the next STEP rising edge.

If the step mode is changed without a translator reset, and absolute position must be maintained, it is important to change the step mode at a step position that is common to both step modes in order to avoid missing steps. When the device is powered down, or reset due to TSD or an over current event the translator is set to the home position which is by default common to all step modes.

Mixed Decay Operation. The bridge operates in Mixed decay mode, at power-on and reset, and during normal running according to the ROSC configuration and the step sequence. During Mixed decay, when the trip point is reached, the HR4982 initially goes into a fast decay mode for 31.25% of the off-time, t_{OFF} . After that, it switches to Slow decay mode for the remainder of t_{OFF} . A timing diagram for this feature appears on figure 7.

Typically, mixed decay is only necessary when the current in the winding is going from a higher value to a lower value as determined by the state of the translator. For most loads automatically-selected mixed decay is convenient because it minimizes ripple when the current is rising and prevents missed steps when the current is falling. For some applications where microstepping at very low speeds is necessary, the lack of back EMF in the winding causes the current to increase in the load quickly, resulting in missed steps. This is shown in Figure 2. By pulling the ROSC pin to ground, mixed decay is set to be active 100% of the time, for both rising and falling currents, and prevents missed steps as shown in Figure 3. If this is not an issue, it is recommended that automatically-selected mixed decay be used, because it will produce reduced ripple currents. Refer to the Fixed Off-Time section for details.

Low Current Microstepping. Intended for applications where the minimum on-time prevents the output current from regulating to the programmed current level at low current steps. To prevent this, the device can be set to operate in Mixed decay mode on both rising and falling portions of the current waveform. This feature is implemented by shorting the ROSC pin to ground. In this state, the off-time is internally set to 30 μ s.

Reset Input (RESET). The RESET input sets the translator to a predefined Home state, and turns off all of the FET outputs. All STEP inputs are ignored until the RESET input is set to high.

Step Input (STEP). A low-to-high transition on the STEP input sequences the translator and advances the motor one increment. The translator controls the input to the DACs and the direction of current flow in each winding. The size of the increment is determined by the combined state of the MSx inputs.

Direction Input (DIR). This determines the direction of rotation of the motor. Changes to this input do not take effect until the next STEP rising edge.

Internal PWM Current Control. Each full-bridge is controlled by a fixed off-time PWM current control circuit that limits the load current to a desired value, ITRIP. Initially, a diagonal pair of source and sink FET outputs are enabled and current flows through the motor winding and the current sense resistor, RSx. When the voltage across RSx equals the DAC output voltage, the current sense comparator resets the PWM latch. The latch then turns off the appropriate source driver and initiates a fixed off time decay mode

The maximum value of current limiting is set by the selection of RSx and the voltage at the VREF pin. The transconductance function is approximated by the maximum value of current limiting, I_{TripMAX} (A), which is set by

$$I_{\text{TripMAX}} = V_{\text{REF}} / (8 \times R_{\text{S}})$$

where RS is the resistance of the sense resistor (Ω) and VREF is the input voltage on the REF pin (V).

The DAC output reduces the VREF output to the current sense comparator in precise steps, such that

$$I_{\text{trip}} = (\%I_{\text{TripMAX}} / 100) \times I_{\text{TripMAX}}$$

(See Table 2 for %ITripMAX at each step.)

It is critical that the maximum rating (0.5 V) on the SENSE1 and SENSE2 pins is not exceeded.

Fixed Off-Time. The internal PWM current control circuitry uses a one-shot circuit to control the duration of time that the DMOS FETs remain off. The off-time, t_{OFF} , is determined by the ROSC terminal. ROSC terminal has three settings:

- ROSC tied to VDD — off-time internally set to 30 μs , decay mode is automatic Mixed decay except when in full step where decay mode is set to Slow decay.
- ROSC tied directly to ground — off-time internally set to 30 μs , current decay is set to Mixed decay for both increasing and decreasing currents for all step modes.
- ROSC through a resistor to ground — off-time is determined by the following formula, the decay mode is automatic Mixed decay for all step modes except full step which is set to slow decay.

$$t_{\text{OFF}} \approx \text{ROSC} / 825$$

Where t_{OFF} is in μs .

Blanking. This function blanks the output of the current sense comparators when the outputs are switched by the internal current control circuitry. The comparator outputs are blanked to prevent false overcurrent detection due to reverse recovery currents of the clamp diodes, and switching transients related to the capacitance of the load. The blank time, t_{BLANK} (μs), is approximately

$$t_{\text{BLANK}} \approx 1 \mu\text{s}$$

Shorted-Load and Short-to-Ground

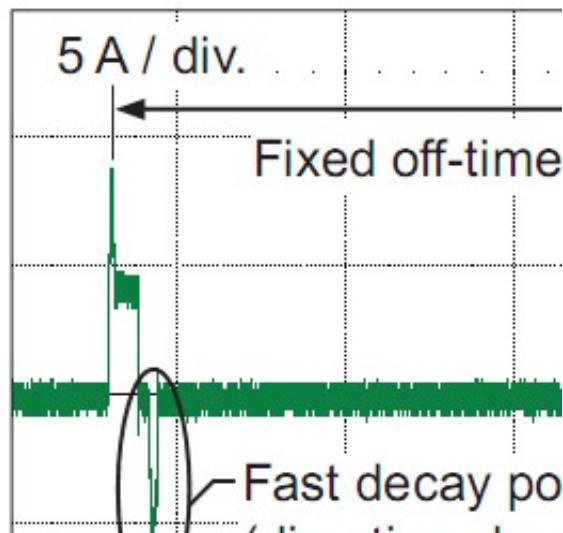
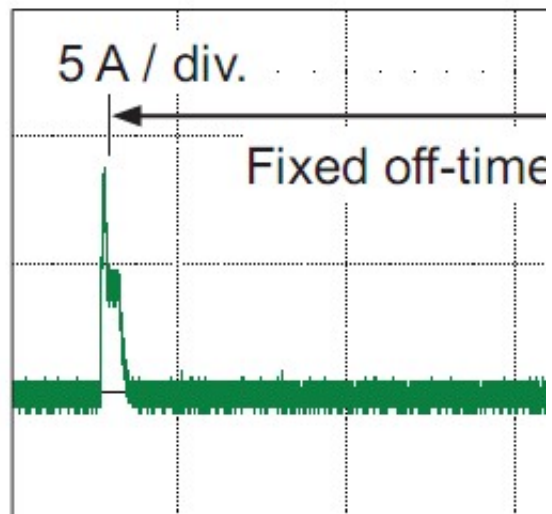
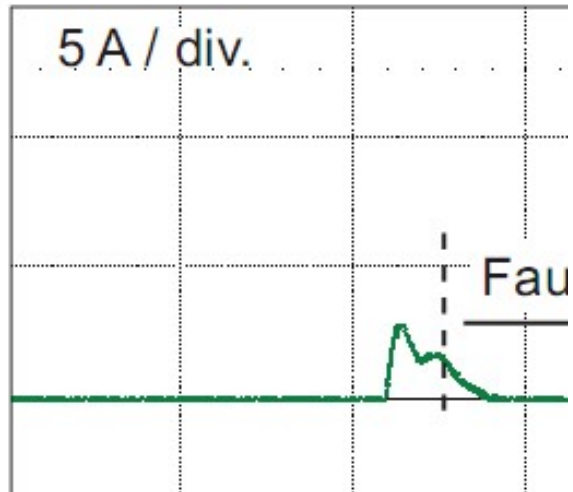
Protection. If the motor leads are shorted together, or if one of the leads is shorted to ground, the driver will protect itself by sensing the overcurrent event and disabling the driver that is shorted, protecting the device from damage. In the case of a short-to-ground, the device will remain disabled (latched) until the SLEEP input goes high or VDD power is removed. A short-to-ground overcurrent event is shown in Figure 4.

When the two outputs are shorted together, the current path is through the sense resistor. After the blanking time ($\approx 1 \mu\text{s}$) expires, the sense resistor voltage is exceeding its trip value, due to the overcurrent condition that exists. This causes the driver to go into a fixed off-time cycle. After the fixed off-time expires the driver turns on again and the process repeats. In this condition the driver is completely protected against overcurrent events, but the short is repetitive with a period equal to the fixed off-time of the driver. This condition is shown in Figure 5.

During a shorted load event it is normal to observe both a positive and negative current spike as shown in Figure 3, due to the direction change implemented by the Mixed decay feature. This is shown in Figure 6. In both instances the overcurrent circuitry is protecting the driver and prevents damage to the device.

Charge Pump (CP1 and CP2). The charge pump is used to generate a gate supply greater than that of VBB for driving the source-side FET gates. A 0.1 μF ceramic capacitor, should be connected between CP1 and CP2. In addition, a 0.1 μF ceramic capacitor is required between VCP and VBB, to act as a reservoir for operating the high-side FET gates.

Capacitor values should be Class 2 dielectric $\pm 15\%$ maximum, or tolerance R, according to EIA (Electronic Industries Alliance) specifications.



VREG(VREG). This internally-generated voltage is used to operate the sink-side FET outputs. The nominal output voltage of the VREG terminal is 5.5 V. The VREG pin must be decoupled with a 0.22 μ F ceramic capacitor to ground. VREG is internally monitored. In the case of a fault condition, the FET outputs of the HR4982 are disabled.

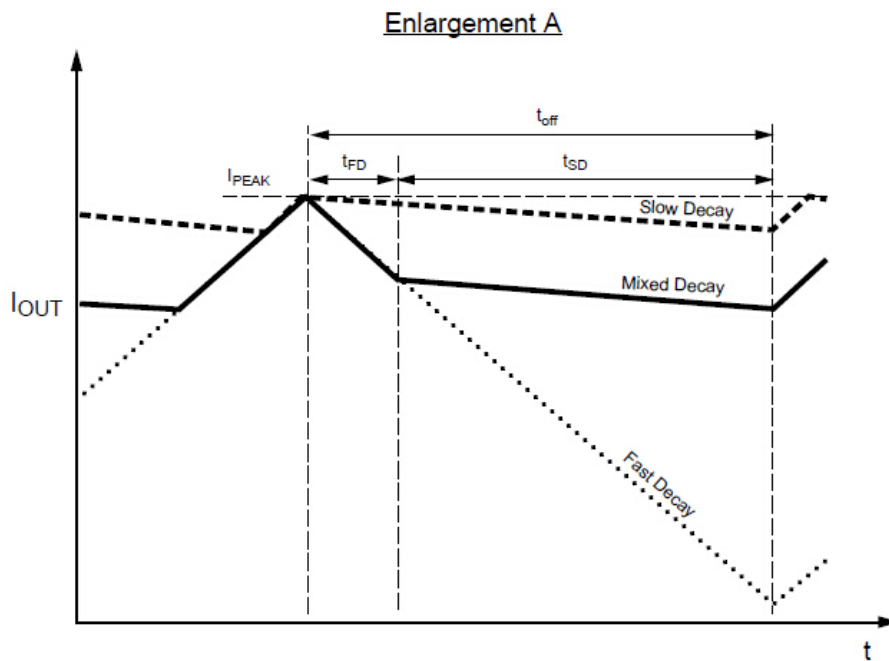
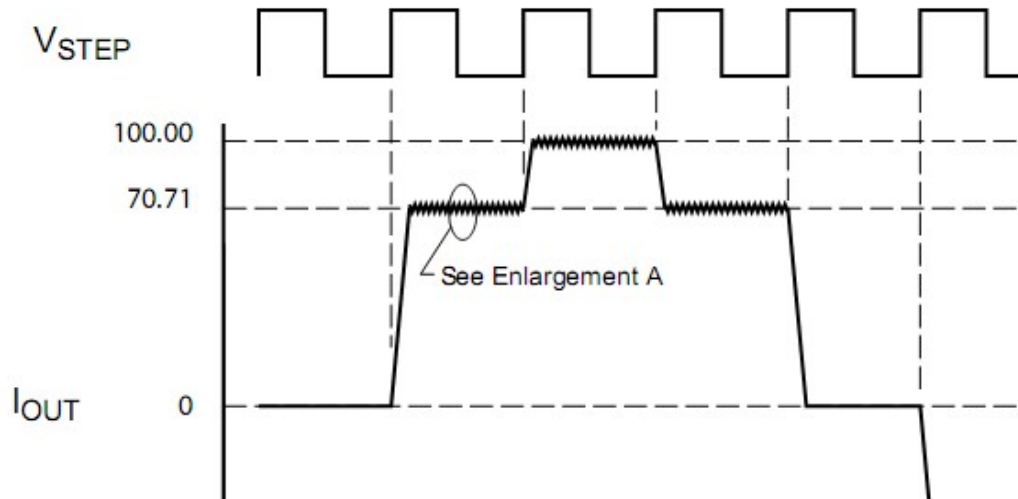
Capacitor values should be Class 2 dielectric \pm 15% maximum, or tolerance R, according to EIA (Electronic Industries Alliance) specifications.

Enable Input (ENABLE). This input turns on or off all of the FET outputs. When set to a logic high, the outputs are disabled. When set to a logic low, the internal control enables the outputs as required. The translator inputs STEP, DIR, and MSx, as well as the internal sequencing logic, all remain active, independent of the ENABLE input state.

Shutdown. In the event of a fault, overtemperature (excess TJ) or an undervoltage (on VCP), the FET outputs of the HR4982 are disabled until the fault condition is removed. At power-on, the UVLO (undervoltage lockout) circuit disables the FET outputs and resets the translator to the Home state.

Sleep Mode (SLEEP). To minimize power consumption when the motor is not in use, this input disables much of the internal circuitry including the output FETs, current regulator, and charge pump. A logic low on the SLEEP pin puts the HR4982 into Sleep mode. A logic high allows normal operation, as well as start-up (at which time the HR4982 drives the motor to the Home microstep position). When emerging from Sleep mode, in order to allow the charge pump to stabilize, provide a delay of 1 ms before issuing a Step command.

Synchronous Rectification. When a PWM-off cycle is triggered by an internal fixed-off time cycle, load current recirculates according to the decay mode selected by the control logic. This synchronous rectification feature turns on the appropriate FETs during current decay, and effectively shorts out the body diodes with the low FET RDS(ON). This reduces power dissipation significantly, and can eliminate the need for external Schottky diodes in many applications. Synchronous rectification turns off when the load current approaches zero (0 A), preventing reversal of the load current.



Symbol	Characteristic
t_{off}	Device fixed off-time
I_{PEAK}	Maximum output current
t_{SD}	Slow decay interval
t_{FD}	Fast decay interval
I_{OUT}	Device output current

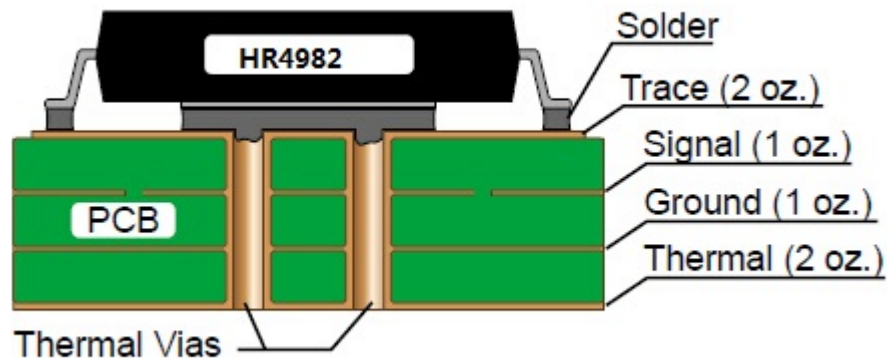
Figure 7: Current Decay Modes Timing Chart

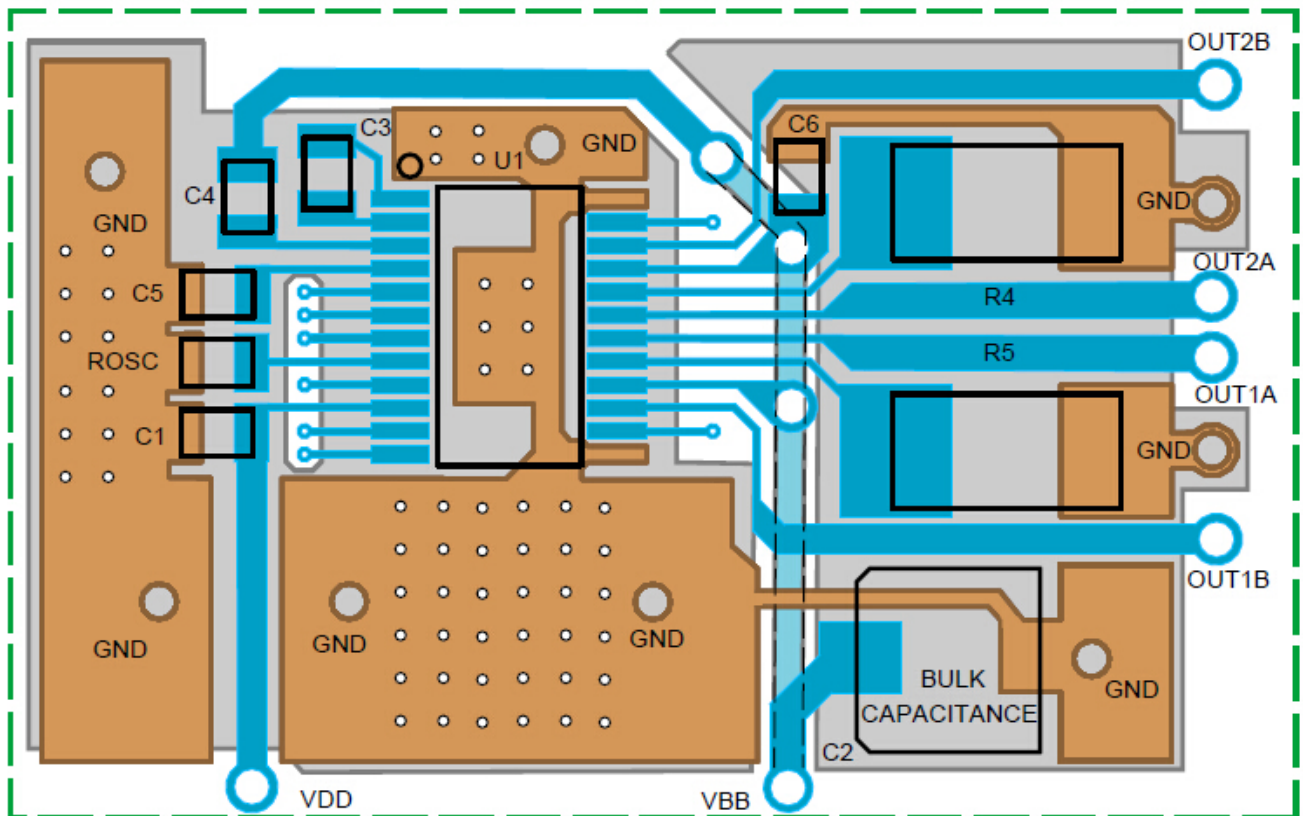
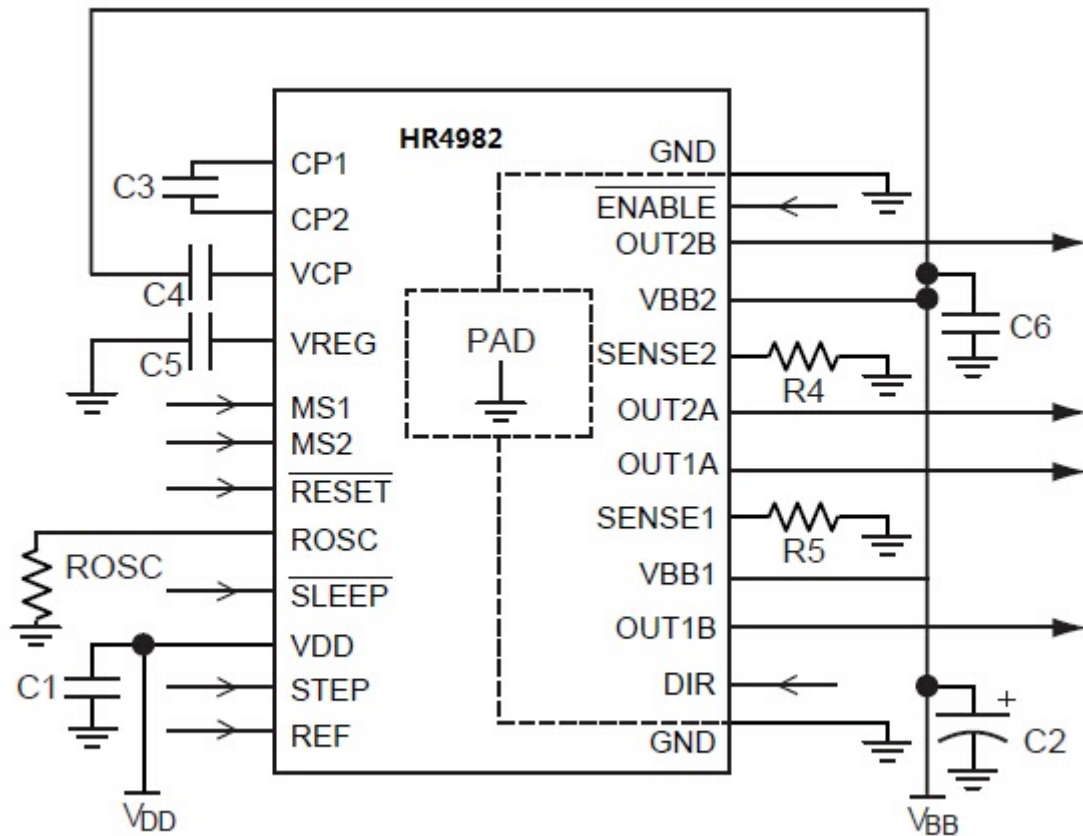
Application Layout

Layout. The printed circuit board should use a heavy groundplane. For optimum electrical and thermal performance, the HR4982 must be soldered directly onto the board. Pins 3 and 18 are internally fused, which provides a path for enhanced thermal dissipation. These pins should be soldered directly to an exposed surface on the PCB that connects to thermal vias are used to transfer heat to other layers of the PCB.

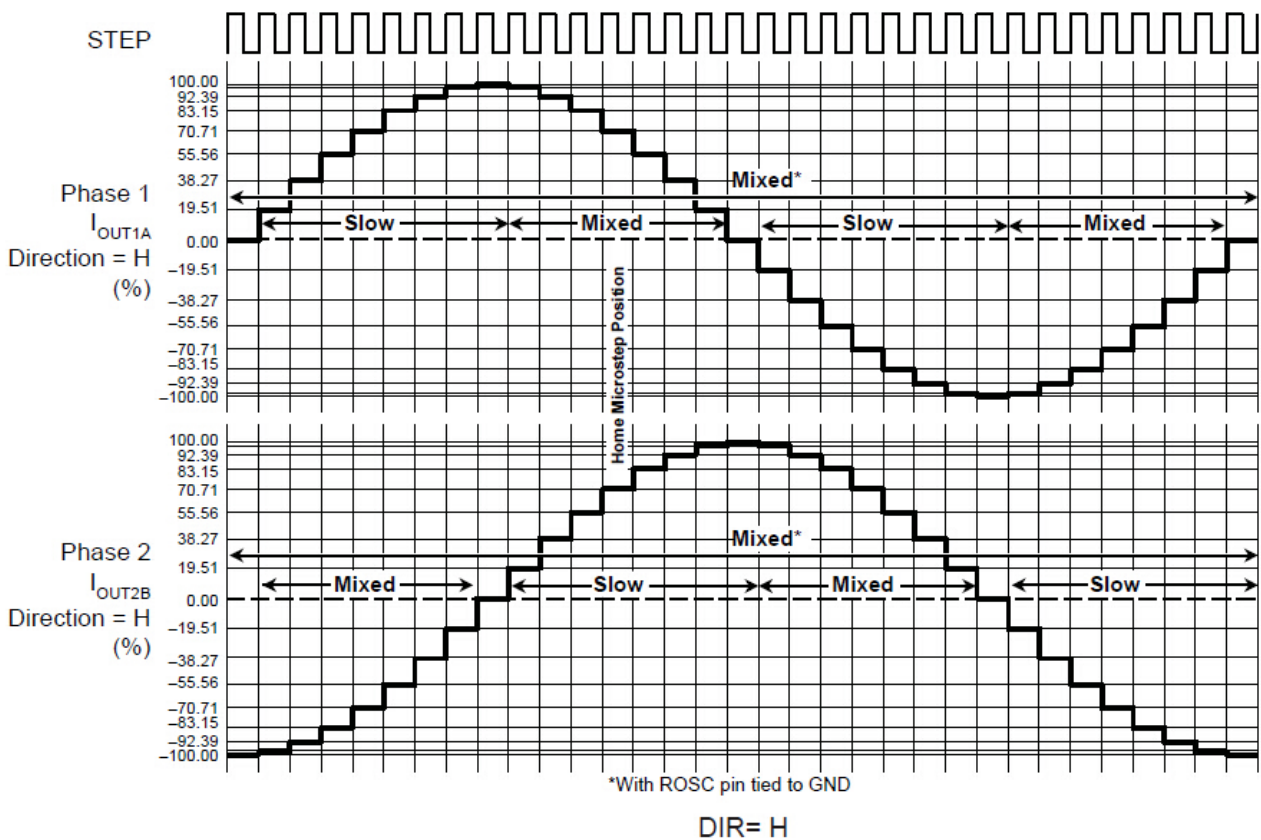
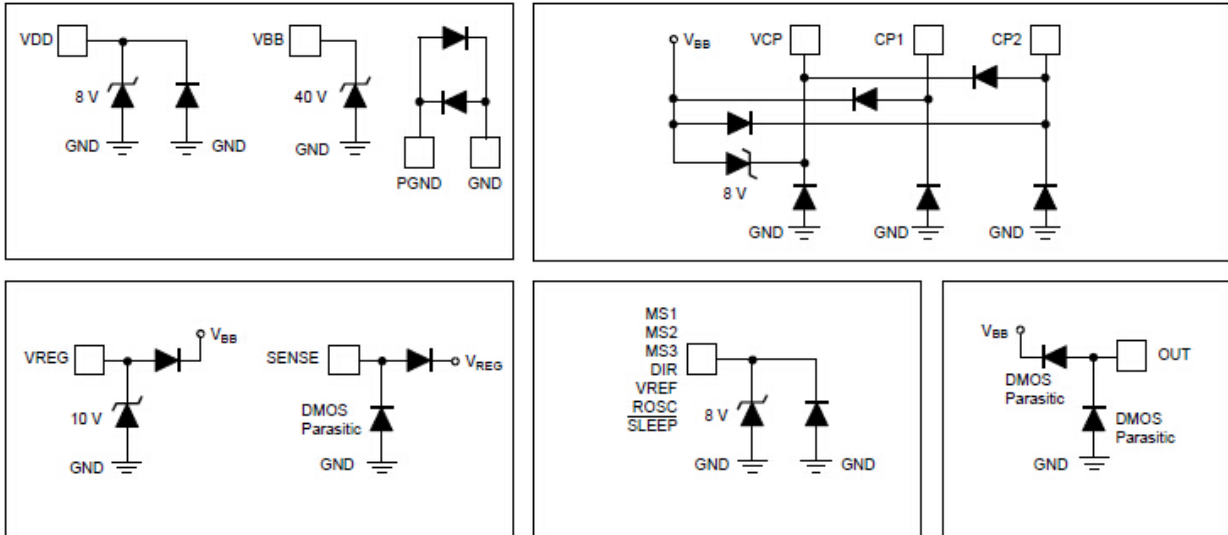
In order to minimize the effects of ground bounce and offset issues, it is important to have a low impedance single-point ground, known as a *star ground*, located very close to the device. By making the connection between the pad and the ground plane directly under the HR4982, that area becomes an ideal location for a star ground point. A low impedance ground will prevent ground bounce during high current operation and ensure that the supply voltage remains stable at the input terminal.

The two input capacitors should be placed in parallel, and as close to the device supply pins as possible. The ceramic capacitor (CIN1) should be closer to the pins than the bulk capacitor (CIN2). This is necessary because the ceramic capacitor will be responsible for delivering the high frequency current components. The sense resistors, RSx , should have a very low impedance path to ground, because they must carry a large current while supporting very accurate voltage measurements by the current sense comparators. Long ground traces will cause additional voltage drops, adversely affecting the ability of the comparators to accurately measure the current in the windings. The SENSEx pins have very short traces to the RSx resistors and very thick, low impedance traces directly to the star ground underneath the device. If possible, there should be no other components on the sense circuits.





Pin Circuit Diagrams



Decay Modes for Eighth-Step Increments

Table 2: Step Sequencing Settings

Home microstep position at Step Angle 45°; DIR = H

1/128	1/16	1/8	full	Phase 1 Current [% ItripMax] (%)	Phase 2 Current [% ItripMax] (%)	Step Angle (°)
1	1	1		100.0	0.0	0.00
2				100.0	1.2	0.70
3				100.0	2.5	1.41
4				99.9	3.7	2.11
5				99.9	4.9	2.81
6				99.8	6.1	3.52
7				99.7	7.4	4.22
8				99.6	8.6	4.92
9	2			99.5	9.8	5.63
10				99.4	11.0	6.33
11				99.2	12.2	7.03
12				99.1	13.5	7.73
13				98.9	14.7	8.44
14				98.7	15.9	9.14
15				98.5	17.1	9.84
16				98.3	18.3	10.55
17	3	2		98.1	19.5	11.25
18				97.8	20.7	11.95
19				97.6	21.9	12.66
20				97.3	23.1	13.36
21				97.0	24.3	14.06
22				96.7	25.5	14.77
23				96.4	26.7	15.47
24				96.0	27.9	16.17
25	4			95.7	29.0	16.88
26				95.3	30.2	17.58
27				95.0	31.4	18.28
28				94.6	32.5	18.98
29				94.2	33.7	19.69
30				93.7	34.8	20.39
31				93.3	36.0	21.09
32				92.9	37.1	21.80
33	5	3		92.4	38.3	22.50
34				91.9	39.4	23.20
35				91.4	40.5	23.91
36				90.9	41.6	24.61
37				90.4	42.8	25.31
38				89.9	43.9	26.02
39				89.3	45.0	26.72

40				88.8	46.1	27.42
41	6			88.2	47.1	28.13
42				87.6	48.2	28.83
43				87.0	49.3	29.53
44				86.4	50.4	30.23
45				85.8	51.4	30.94
46				85.1	52.5	31.64
47				84.5	53.5	32.34
48				83.8	54.5	33.05
49	7	4		83.1	55.6	33.75
50				82.5	56.6	34.45
51				81.8	57.6	35.16
52				81.0	58.6	35.86
53				80.3	59.6	36.56
54				79.6	60.6	37.27
55				78.8	61.5	37.97
56				78.1	62.5	38.67
57	8			77.3	63.4	39.38
58				76.5	64.4	40.08
59				75.7	65.3	40.78
60				74.9	66.2	41.48
61				74.1	67.2	42.19
62				73.3	68.1	42.89
63				72.4	69.0	43.59
64				71.6	69.8	44.30
65	9	5	1	70.7	70.7	45.00
66				69.8	71.6	45.70
67				69.0	72.4	46.41
68				68.1	73.3	47.11
69				67.2	74.1	47.81
70				66.2	74.9	48.52
71				65.3	75.7	49.22
72				64.4	76.5	49.92
73	10			63.4	77.3	50.63
74				62.5	78.1	51.33
75				61.5	78.8	52.03
76				60.6	79.6	52.73
77				59.6	80.3	53.44
78				58.6	81.0	54.14
79				57.6	81.8	54.84
80				56.6	82.5	55.55
81	11	6		55.6	83.1	56.25
82				54.5	83.8	56.95
83				53.5	84.5	57.66

84				52.5	85.1	58.36
85				51.4	85.8	59.06
86				50.4	86.4	59.77
87				49.3	87.0	60.47
88				48.2	87.6	61.17
89	12			47.1	88.2	61.88
90				46.1	88.8	62.58
91				45.0	89.3	63.28
92				43.9	89.9	63.98
93				42.8	90.4	64.69
94				41.6	90.9	65.39
95				40.5	91.4	66.09
96				39.4	91.9	66.80
97	13	7		38.3	92.4	67.50
98				37.1	92.9	68.20
99				36.0	93.3	68.91
100				34.8	93.7	69.61
101				33.7	94.2	70.31
102				32.5	94.6	71.02
103				31.4	95.0	71.72
104				30.2	95.3	72.42
105	14			29.0	95.7	73.13
106				27.9	96.0	73.83
107				26.7	96.4	74.53
108				25.5	96.7	75.23
109				24.3	97.0	75.94
110				23.1	97.3	76.64
111				21.9	97.6	77.34
112				20.7	97.8	78.05
113	15	8		19.5	98.1	78.75
114				18.3	98.3	79.45
115				17.1	98.5	80.16
116				15.9	98.7	80.86
117				14.7	98.9	81.56
118				13.5	99.1	82.27
119				12.2	99.2	82.97
120				11.0	99.4	83.67
121	16			9.8	99.5	84.38
122				8.6	99.6	85.08
123				7.4	99.7	85.78
124				6.1	99.8	86.48
125				4.9	99.9	87.19
126				3.7	99.9	87.89
127				2.5	100.0	88.59

128				1.2	100.0	89.30
129	17	9		0.0	100.0	90.00
130				-1.2	100.0	90.70
131				-2.5	100.0	91.41
132				-3.7	99.9	92.11
133				-4.9	99.9	92.81
134				-6.1	99.8	93.52
135				-7.4	99.7	94.22
136				-8.6	99.6	94.92
137	18			-9.8	99.5	95.63
138				-11.0	99.4	96.33
139				-12.2	99.2	97.03
140				-13.5	99.1	97.73
141				-14.7	98.9	98.44
142				-15.9	98.7	99.14
143				-17.1	98.5	99.84
144				-18.3	98.3	100.55
145	19	10		-19.5	98.1	101.25
146				-20.7	97.8	101.95
147				-21.9	97.6	102.66
148				-23.1	97.3	103.36
149				-24.3	97.0	104.06
150				-25.5	96.7	104.77
151				-26.7	96.4	105.47
152				-27.9	96.0	106.17
153	20			-29.0	95.7	106.88
154				-30.2	95.3	107.58
155				-31.4	95.0	108.28
156				-32.5	94.6	108.98
157				-33.7	94.2	109.69
158				-34.8	93.7	110.39
159				-36.0	93.3	111.09
160				-37.1	92.9	111.80
161	21	11		-38.3	92.4	112.50
162				-39.4	91.9	113.20
163				-40.5	91.4	113.91
164				-41.6	90.9	114.61
165				-42.8	90.4	115.31
166				-43.9	89.9	116.02
167				-45.0	89.3	116.72
168				-46.1	88.8	117.42
169	22			-47.1	88.2	118.13
170				-48.2	87.6	118.83
171				-49.3	87.0	119.53

172				-50.4	86.4	120.23
173				-51.4	85.8	120.94
174				-52.5	85.1	121.64
175				-53.5	84.5	122.34
176				-54.5	83.8	123.05
177	23	12		-55.6	83.1	123.75
178				-56.6	82.5	124.45
179				-57.6	81.8	125.16
180				-58.6	81.0	125.86
181				-59.6	80.3	126.56
182				-60.6	79.6	127.27
183				-61.5	78.8	127.97
184				-62.5	78.1	128.67
185	24			-63.4	77.3	129.38
186				-64.4	76.5	130.08
187				-65.3	75.7	130.78
188				-66.2	74.9	131.48
189				-67.2	74.1	132.19
190				-68.1	73.3	132.89
191				-69.0	72.4	133.59
192				-69.8	71.6	134.30
193	25	13	2	-70.7	70.7	135.00
194				-71.6	69.8	135.70
195				-72.4	69.0	136.41
196				-73.3	68.1	137.11
197				-74.1	67.2	137.81
198				-74.9	66.2	138.52
199				-75.7	65.3	139.22
200				-76.5	64.4	139.92
201	26			-77.3	63.4	140.63
202				-78.1	62.5	141.33
203				-78.8	61.5	142.03
204				-79.6	60.6	142.73
205				-80.3	59.6	143.44
206				-81.0	58.6	144.14
207				-81.8	57.6	144.84
208				-82.5	56.6	145.55
209	27	14		-83.1	55.6	146.25
210				-83.8	54.5	146.95
211				-84.5	53.5	147.66
212				-85.1	52.5	148.36
213				-85.8	51.4	149.06
214				-86.4	50.4	149.77
215				-87.0	49.3	150.47

216				-87.6	48.2	151.17
217	28			-88.2	47.1	151.88
218				-88.8	46.1	152.58
219				-89.3	45.0	153.28
220				-89.9	43.9	153.98
221				-90.4	42.8	154.69
222				-90.9	41.6	155.39
223				-91.4	40.5	156.09
224				-91.9	39.4	156.80
225	29	15		-92.4	38.3	157.50
226				-92.9	37.1	158.20
227				-93.3	36.0	158.91
228				-93.7	34.8	159.61
229				-94.2	33.7	160.31
230				-94.6	32.5	161.02
231				-95.0	31.4	161.72
232				-95.3	30.2	162.42
233	30			-95.7	29.0	163.13
234				-96.0	27.9	163.83
235				-96.4	26.7	164.53
236				-96.7	25.5	165.23
237				-97.0	24.3	165.94
238				-97.3	23.1	166.64
239				-97.6	21.9	167.34
240				-97.8	20.7	168.05
241	31	16		-98.1	19.5	168.75
242				-98.3	18.3	169.45
243				-98.5	17.1	170.16
244				-98.7	15.9	170.86
245				-98.9	14.7	171.56
246				-99.1	13.5	172.27
247				-99.2	12.2	172.97
248				-99.4	11.0	173.67
249	32			-99.5	9.8	174.38
250				-99.6	8.6	175.08
251				-99.7	7.4	175.78
252				-99.8	6.1	176.48
253				-99.9	4.9	177.19
254				-99.9	3.7	177.89
255				-100.0	2.5	178.59
256				-100.0	1.2	179.30
257	33	17		-100.0	0.0	180.00
258				-100.0	-1.2	180.70
259				-100.0	-2.5	181.41

260				-99.9	-3.7	182.11
261				-99.9	-4.9	182.81
262				-99.8	-6.1	183.52
263				-99.7	-7.4	184.22
264				-99.6	-8.6	184.92
265	34			-99.5	-9.8	185.63
266				-99.4	-11.0	186.33
267				-99.2	-12.2	187.03
268				-99.1	-13.5	187.73
269				-98.9	-14.7	188.44
270				-98.7	-15.9	189.14
271				-98.5	-17.1	189.84
272				-98.3	-18.3	190.55
273	35	18		-98.1	-19.5	191.25
274				-97.8	-20.7	191.95
275				-97.6	-21.9	192.66
276				-97.3	-23.1	193.36
277				-97.0	-24.3	194.06
278				-96.7	-25.5	194.77
279				-96.4	-26.7	195.47
280				-96.0	-27.9	196.17
281	36			-95.7	-29.0	196.88
282				-95.3	-30.2	197.58
283				-95.0	-31.4	198.28
284				-94.6	-32.5	198.98
285				-94.2	-33.7	199.69
286				-93.7	-34.8	200.39
287				-93.3	-36.0	201.09
288				-92.9	-37.1	201.80
289	37	19		-92.4	-38.3	202.50
290				-91.9	-39.4	203.20
291				-91.4	-40.5	203.91
292				-90.9	-41.6	204.61
293				-90.4	-42.8	205.31
294				-89.9	-43.9	206.02
295				-89.3	-45.0	206.72
296				-88.8	-46.1	207.42
297	38			-88.2	-47.1	208.13
298				-87.6	-48.2	208.83
299				-87.0	-49.3	209.53
300				-86.4	-50.4	210.23
301				-85.8	-51.4	210.94
302				-85.1	-52.5	211.64
303				-84.5	-53.5	212.34

304				-83.8	-54.5	213.05
305	39	20		-83.1	-55.6	213.75
306				-82.5	-56.6	214.45
307				-81.8	-57.6	215.16
308				-81.0	-58.6	215.86
309				-80.3	-59.6	216.56
310				-79.6	-60.6	217.27
311				-78.8	-61.5	217.97
312				-78.1	-62.5	218.67
313	40			-77.3	-63.4	219.38
314				-76.5	-64.4	220.08
315				-75.7	-65.3	220.78
316				-74.9	-66.2	221.48
317				-74.1	-67.2	222.19
318				-73.3	-68.1	222.89
319				-72.4	-69.0	223.59
320				-71.6	-69.8	224.30
321	41	21	3	-70.7	-70.7	225.00
322				-69.8	-71.6	225.70
323				-69.0	-72.4	226.41
324				-68.1	-73.3	227.11
325				-67.2	-74.1	227.81
326				-66.2	-74.9	228.52
327				-65.3	-75.7	229.22
328				-64.4	-76.5	229.92
329	42			-63.4	-77.3	230.63
330				-62.5	-78.1	231.33
331				-61.5	-78.8	232.03
332				-60.6	-79.6	232.73
333				-59.6	-80.3	233.44
334				-58.6	-81.0	234.14
335				-57.6	-81.8	234.84
336				-56.6	-82.5	235.55
337	43	22		-55.6	-83.1	236.25
338				-54.5	-83.8	236.95
339				-53.5	-84.5	237.66
340				-52.5	-85.1	238.36
341				-51.4	-85.8	239.06
342				-50.4	-86.4	239.77
343				-49.3	-87.0	240.47
344				-48.2	-87.6	241.17
345	44			-47.1	-88.2	241.88
346				-46.1	-88.8	242.58
347				-45.0	-89.3	243.28

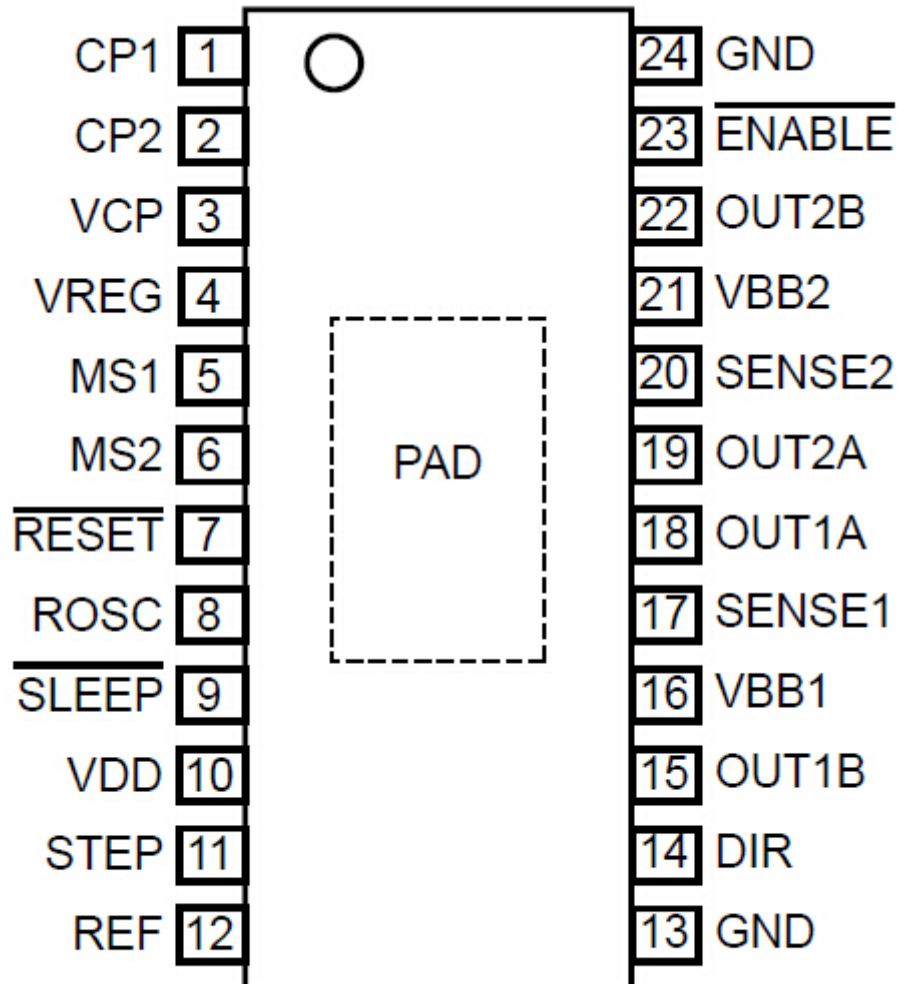
348				-43.9	-89.9	243.98
349				-42.8	-90.4	244.69
350				-41.6	-90.9	245.39
351				-40.5	-91.4	246.09
352				-39.4	-91.9	246.80
353	45	23		-38.3	-92.4	247.50
354				-37.1	-92.9	248.20
355				-36.0	-93.3	248.91
356				-34.8	-93.7	249.61
357				-33.7	-94.2	250.31
358				-32.5	-94.6	251.02
359				-31.4	-95.0	251.72
360				-30.2	-95.3	252.42
361	46			-29.0	-95.7	253.13
362				-27.9	-96.0	253.83
363				-26.7	-96.4	254.53
364				-25.5	-96.7	255.23
365				-24.3	-97.0	255.94
366				-23.1	-97.3	256.64
367				-21.9	-97.6	257.34
368				-20.7	-97.8	258.05
369	47	24		-19.5	-98.1	258.75
370				-18.3	-98.3	259.45
371				-17.1	-98.5	260.16
372				-15.9	-98.7	260.86
373				-14.7	-98.9	261.56
374				-13.5	-99.1	262.27
375				-12.2	-99.2	262.97
376				-11.0	-99.4	263.67
377	48			-9.8	-99.5	264.38
378				-8.6	-99.6	265.08
379				-7.4	-99.7	265.78
380				-6.1	-99.8	266.48
381				-4.9	-99.9	267.19
382				-3.7	-99.9	267.89
383				-2.5	-100.0	268.59
384				-1.2	-100.0	269.30
385	49	25		0.0	-100.0	270.00
386				1.2	-100.0	270.70
387				2.5	-100.0	271.41
388				3.7	-99.9	272.11
389				4.9	-99.9	272.81
390				6.1	-99.8	273.52
391				7.4	-99.7	274.22

392				8.6	-99.6	274.92
393	50			9.8	-99.5	275.63
394				11.0	-99.4	276.33
395				12.2	-99.2	277.03
396				13.5	-99.1	277.73
397				14.7	-98.9	278.44
398				15.9	-98.7	279.14
399				17.1	-98.5	279.84
400				18.3	-98.3	280.55
401	51	26		19.5	-98.1	281.25
402				20.7	-97.8	281.95
403				21.9	-97.6	282.66
404				23.1	-97.3	283.36
405				24.3	-97.0	284.06
406				25.5	-96.7	284.77
407				26.7	-96.4	285.47
408				27.9	-96.0	286.17
409	52			29.0	-95.7	286.88
410				30.2	-95.3	287.58
411				31.4	-95.0	288.28
412				32.5	-94.6	288.98
413				33.7	-94.2	289.69
414				34.8	-93.7	290.39
415				36.0	-93.3	291.09
416				37.1	-92.9	291.80
417	53	27		38.3	-92.4	292.50
418				39.4	-91.9	293.20
419				40.5	-91.4	293.91
420				41.6	-90.9	294.61
421				42.8	-90.4	295.31
422				43.9	-89.9	296.02
423				45.0	-89.3	296.72
424				46.1	-88.8	297.42
425	54			47.1	-88.2	298.13
426				48.2	-87.6	298.83
427				49.3	-87.0	299.53
428				50.4	-86.4	300.23
429				51.4	-85.8	300.94
430				52.5	-85.1	301.64
431				53.5	-84.5	302.34
432				54.5	-83.8	303.05
433	55	28		55.6	-83.1	303.75
434				56.6	-82.5	304.45
435				57.6	-81.8	305.16

436				58.6	-81.0	305.86
437				59.6	-80.3	306.56
438				60.6	-79.6	307.27
439				61.5	-78.8	307.97
440				62.5	-78.1	308.67
441	56			63.4	-77.3	309.38
442				64.4	-76.5	310.08
443				65.3	-75.7	310.78
444				66.2	-74.9	311.48
445				67.2	-74.1	312.19
446				68.1	-73.3	312.89
447				69.0	-72.4	313.59
448				69.8	-71.6	314.30
449	57	29	4	70.7	-70.7	315.00
450				71.6	-69.8	315.70
451				72.4	-69.0	316.41
452				73.3	-68.1	317.11
453				74.1	-67.2	317.81
454				74.9	-66.2	318.52
455				75.7	-65.3	319.22
456				76.5	-64.4	319.92
457	58			77.3	-63.4	320.63
458				78.1	-62.5	321.33
459				78.8	-61.5	322.03
460				79.6	-60.6	322.73
461				80.3	-59.6	323.44
462				81.0	-58.6	324.14
463				81.8	-57.6	324.84
464				82.5	-56.6	325.55
465	59	30		83.1	-55.6	326.25
466				83.8	-54.5	326.95
467				84.5	-53.5	327.66
468				85.1	-52.5	328.36
469				85.8	-51.4	329.06
470				86.4	-50.4	329.77
471				87.0	-49.3	330.47
472				87.6	-48.2	331.17
473	60			88.2	-47.1	331.88
474				88.8	-46.1	332.58
475				89.3	-45.0	333.28
476				89.9	-43.9	333.98
477				90.4	-42.8	334.69
478				90.9	-41.6	335.39
479				91.4	-40.5	336.09

480				91.9	-39.4	336.80
481	61	31		92.4	-38.3	337.50
482				92.9	-37.1	338.20
483				93.3	-36.0	338.91
484				93.7	-34.8	339.61
485				94.2	-33.7	340.31
486				94.6	-32.5	341.02
487				95.0	-31.4	341.72
488				95.3	-30.2	342.42
489	62			95.7	-29.0	343.13
490				96.0	-27.9	343.83
491				96.4	-26.7	344.53
492				96.7	-25.5	345.23
493				97.0	-24.3	345.94
494				97.3	-23.1	346.64
495				97.6	-21.9	347.34
496				97.8	-20.7	348.05
497	63	32		98.1	-19.5	348.75
498				98.3	-18.3	349.45
499				98.5	-17.1	350.16
500				98.7	-15.9	350.86
501				98.9	-14.7	351.56
502				99.1	-13.5	352.27
503				99.2	-12.2	352.97
504				99.4	-11.0	353.67
505	64			99.5	-9.8	354.38
506				99.6	-8.6	355.08
507				99.7	-7.4	355.78
508				99.8	-6.1	356.48
509				99.9	-4.9	357.19
510				99.9	-3.7	357.89
511				100.0	-2.5	358.59
512				100.0	-1.2	359.30

Pin-out Diagram

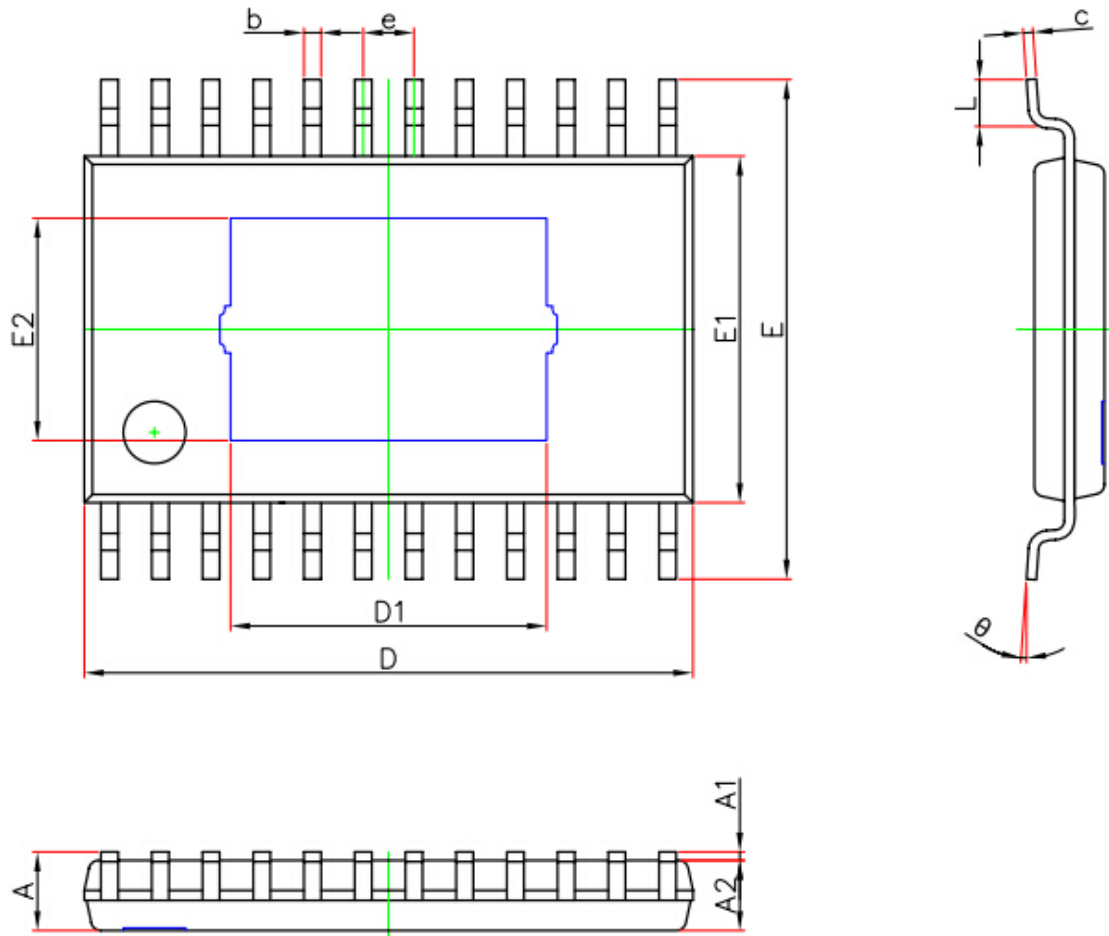


TSSOP24

Terminal List Table

TSSOP24		Pin Description
1	CP1	Charge pump capacitor terminal
2	CP2	Charge pump capacitor terminal
3	VCP	Reservoir capacitor terminal
4	VREG	Regulator decoupling terminal
5	MS1	Logic input
6	MS2	Logic input
7	\RESET	Logic input
8	ROSC	Timing set
9	\SLEEP	Logic input
10	VDD	Logic supply
11	STEP	Logic input
12	REF	G _m reference voltage input
13,24	GND	Ground*
14	DIR	Logic input
15	OUT1B	DMOS Full Bridge 1 Output B
16	VBB1	Load supply
17	SENSE1	Sense resistor terminal for Bridge 1
18	OUT1A	DMOS Full Bridge 1 Output A
19	OUT2A	DMOS Full Bridge 2 Output A
20	SENSE2	Sense resistor terminal for Bridge 2
21	VBB2	Load supply
22	OUT2B	DMOS Full Bridge 2 Output B
23	\ENABLE	Logic input
–	PAD	Exposed pad for enhanced thermal dissipation*

*The GND pins must be tied together externally by connecting to the PAD ground plane under the device.

TSSOP 24 with exposed thermal pad


Symbol	Dimensions In Millimeters		Dimensions In Inches	
	Min.	Max.	Min.	Max.
A	—	1.200	—	0.047
A1	0.050	0.150	0.002	0.006
A2	0.800	1.050	0.031	0.041
b	0.190	0.300	0.007	0.012
c	0.090	0.200	0.004	0.008
D	7.700	7.900	0.303	0.311
D1	3.950	4.150	0.156	0.163
E	6.250	6.550	0.246	0.258
E1	4.300	4.500	0.169	0.177
E2	2.750	2.950	0.108	0.116
e	0.650(BSC)		0.026(BSC)	
L	0.450	0.750	0.018	0.030
θ	0°	8°	0°	8°

IMPORTANT NOTICE**注意**

Jiaxing Heroic Electronic Technology Co., Ltd (HT) reserves the right to make corrections, modifications, enhancements, improvements, and other changes to its products and services at any time and to discontinue any products or services without notice. Customers should obtain the latest relevant information before placing orders and should verify that such information is current and complete.

嘉兴禾润电子科技有限公司（以下简称HT）保留对产品、服务、文档的任何修改、更正、提高、改善和其他改变，或停止提供任何产品和服务的权利。客户在下单和生产前应确保所得到的信息是最新、最完整的。

HT assumes no liability for applications assistance or customer product design. Customers are responsible for their products and applications using HT components.

HT对相关应用的说明和协助以及客户产品的板级设计不承担任何责任。

HT products are not authorized for use in safety-critical applications (such as life support devices or systems) where a failure of the HT product would reasonably be expected to affect the safety or effectiveness of that devices or systems.

HT的产品并未授权用于诸如生命维持设备等安全性极高的应用中。

The information included herein is believed to be accurate and reliable. However, HT assumes no responsibility for its use; nor for any infringement of patents or other rights of third parties which may result from its use.

本文中的相关信息是精确和可靠的，但HT并不对其负责，也不对任何可能的专利和第三方权利的侵害负责。

Following are URLs and contacts where you can obtain information or supports on any HT products and application solutions:

下面是可以联系到我公司的相关链接和联系方式：

嘉兴禾润电子科技有限公司**Jiaxing Heroic Electronic Technology Co., Ltd.**

地址:浙江省嘉兴市凌公塘路3339号JRC大厦A座三层

Add: A 3rd floor, JRC Building, No. 3339, LingGongTang Road, Jiaxing, Zhejiang Province

Sales: 0573-82585539, sales@heroic.com.cn

Support: 0573-82586151, support@heroic.com.cn

Fax: 0573-82585078

Website: www.heroic.com.cn; wap.heroic.com.cn

Wechat MP: HEROIC_JX

请及时关注禾润官方微信公众号，随时获取最新产品信息和技术资料！

